



ComServer NG 4

TACTICAL IP ROUTER AND SERVER

- > **IP sub-network access for military and civil nets**
- > **IP routing**
- > **Tactical IP Services support**
 - **Voice over IP on military nets**
 - **Tactical e-mail server (SMTP)**
 - **File transfer**
- > **Local configuration management (SNMP)**
- > **COTS communication standards in soft/hardware**
- > **Complete family for seamless Digital Battlespace interoperability**

ComServer NG 4

COMPLETE FAMILY FOR SEAMLESS DIGITAL BATTLESPACE INTEROPERABILITY

Interoperability among military and civil networks as well as voice - data convergence plays a key and decisive role in modern warfare. The ComServer connects different networks with it's IP node functionality and provides tactical IP services between radio and wire based networks. The ComServer is considered to be a key component for establishing a tactical internet.

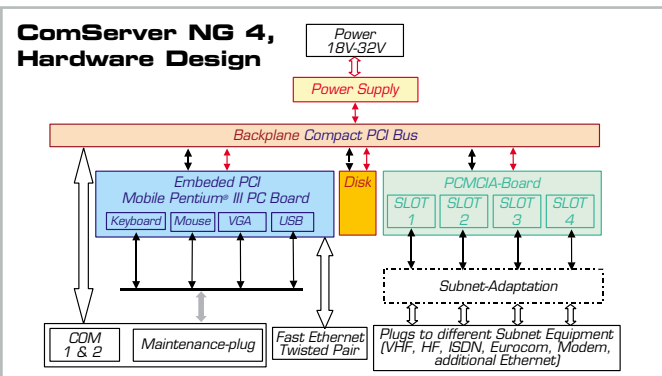
The ComServer is prepared for installation and employment in light armoured vehicles as well as main battle tanks (MBT Leo II qualified) and fulfils the necessary environmental conditions based on MIL-STD-810.

The ComServer has been selected by the German forces for the qualification phase.

MODULAR HARDWARE DESIGN

The architecture of the ComServer is based on COTS components which allow great adaptability and durability.

The hardware concept is of modular design and enables operation from a single end-user up to a powerful server/router system.



GENERAL CHARACTERISTICS

Type	4 Channel ComServer
Dimensions	53 x 300 x 317 mm (HxDxW)
Weight	4.1 kg
Design	Rugged design based on COTS components
Power	18 V to 32 V DC; 1.5 A max.
Interfaces	based on PCMCIA standard, freely configurable (see below)
Special Interface	Service access
Processor	Intel Mobile Pentium III; 400 MHz and up
Memory	128 MB SDRAM; Flash Disk
Temperature	-40 °C to +55 °C operating
EMI	MIL-STD-461C
Environment	MIL-STD-810E

TAILORED SOFTWARE

Operating systems	- LINUX - Windows NT
Architecture	- Standardized application service access point (ASAP) at OSI layer 7 - Subnet service access point (SNSAP) on subnet module
Protocols	- TCP/IP - SMTP - SNMP - Several data transmission protocols with ECCM features - Other transmission protocols are available

A COMPREHENSIVE RANGE MODULAR FROM 1 TO 8 CONFIGURABLE CHANNELS

Equipment	CS NG 1-2	CS NG 4	CS NG 8	CS HUB	INTERFACES
					The system accommodates various sub-network interfaces for internal or external use such as: - Fast Ethernet - ISDN networks - EUROCOM networks - VHF radio networks - HF radio networks - RS 232 - Analogue mode - Inmarsat - Others on request
Characteristics	> End-user interface > IP access > Up to 2 channels	> Node capability - IP routing - IP server > IP access > Up to 4 channels	> Extended node capability - IP routing - IP server > IP access > Up to 8 channels	> Military hub (100 Mbps)	

THALES

THALES Communications GmbH

Ostendstrasse 3 - 75175 Pforzheim - GERMANY

Phone: +49 (0) 72 31 15 34 94 - Fax: +49 (0) 72 31 15 34 95

www.thales-communications.de